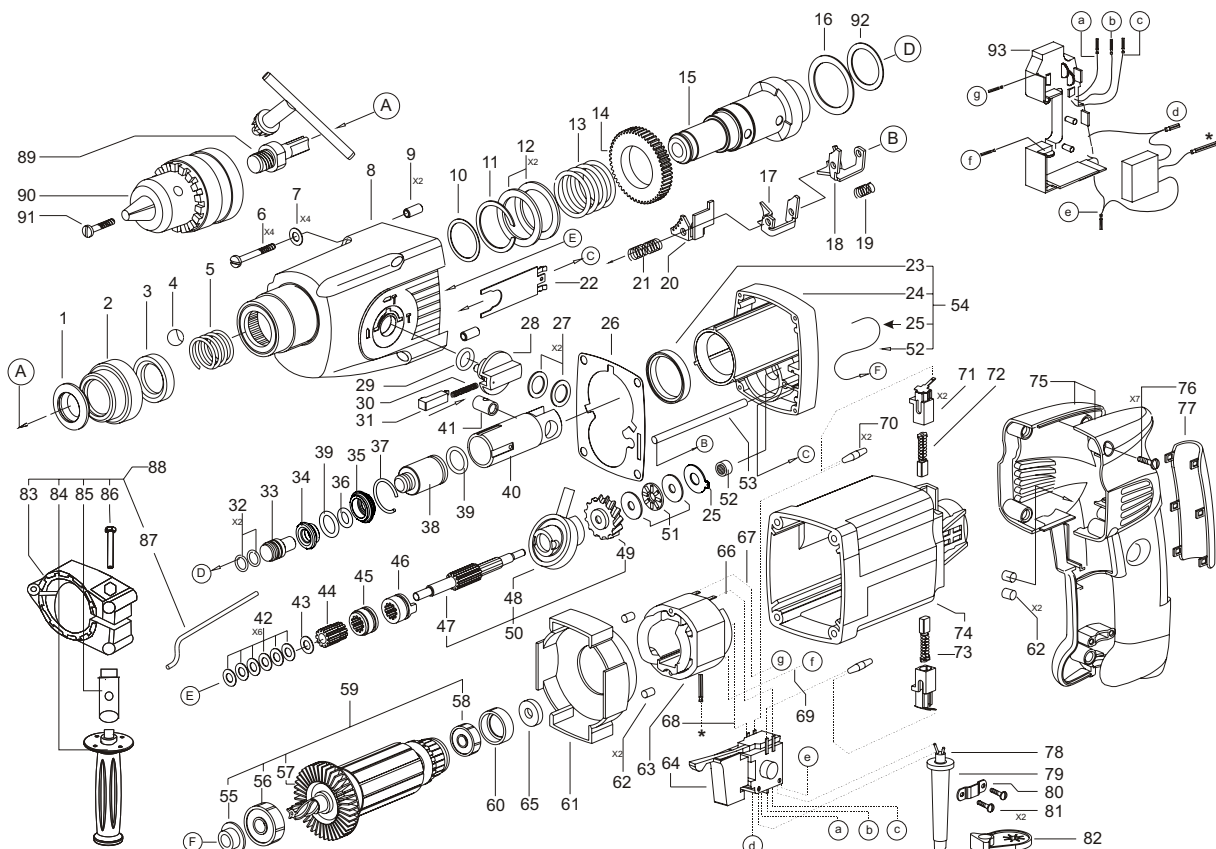


| POS. No. | Ref.No. | Description | POS. No. | Ref.No. | Description |
|----------|---------|--------------------------------|----------|---------|---------------------------|
| 1 | 126964 | Circlip | 47 | 151378 | Gear shaft |
| 2 | 170063 | Releasing bush | 48 | 126994 | Rolling thrust bearing |
| 3* | 156064 | Ring | 49 | 154585 | Large intermediate gear |
| 3 | 175345 | Limit location Ring | 50 | 154583 | Gear shaft complement |
| 4 | 330097 | Pellet 6,747-100 | 51 | 330915 | Bearing AX 0821 INA |
| 5 | 156066 | Spring | 52 | 330119 | Bearing HK0609 |
| 6 | 360449 | Screw M4X40/20 8.8 | 53 | 126997 | Axle |
| 7 | 360010 | Spring washer 4H | 54 | 154571 | Bearing shield set |
| 8 | 154812 | Gear box set | 55 | 150144 | Bush |
| 9 | 127034 | Bush | 56 | 330291 | Bearing 60002ZP63LDS18 |
| 10 | 126982 | Spacer washer | 57 | 121852 | Fan |
| 11 | 330745 | Circlip B30-4B | 58 | 330287 | Bearing 627-2ZP6LDS18 |
| 12 | 127035 | Spacer washer | 59 | 151208 | Armature set |
| 13 | 130731 | Spring | 60 | 164934 | Rubber bush |
| 14 | 126971 | Spindle gear | 61 | 129789 | Diffuser |
| 15 | 156067 | Spindle | 62 | 272960 | Claming pin |
| 16 | 126983 | Spacer washer | 63 | 120831 | Stator set |
| 17 | 151375 | Switching plate | 64 | 173354 | Switch Defond DGQ 1112-HF |
| 18 | 151374 | Switching plate | 65 | 151205 | Washer |
| 19 | 151413 | Spring | 66 | 128989 | Outlet |
| 20 | 151376 | Locking panel | 67 | 116528 | Outlet |
| 21 | 126998 | Spring | 68 | 127558 | Outlet |
| 22 | 151377 | Spring | 69 | 116546 | Outlet |
| 23 | 150138 | Bearing | 70 | 116229 | Choke |
| 24 | 154497 | Bearing shield | 71 | 126917 | Brush holder set |
| 25 | 154499 | Special Washer | 72 | 125052 | Brush with a switch |
| 26 | 126996 | Gasket | 73 | 125051 | Brush |
| 27 | 115431 | Spacer washer | 74 | 151225 | Body |
| 28 | 170071 | Switch knob | 75 | 151204 | Casing handle set |
| 29 | 330337 | O-ring 13x1.5 | 76 | 361425 | Screw K4X16 TORX 20 |
| 30 | 127005 | Spring | 77 | 128006 | Insert |
| 31 | 170072 | Fixing bit | 78 | 158876 | Cord with a plug RAL 3020 |
| 32 | 330676 | O-ring 10x1.5 - FPM70 | 79 | 125053 | Cord protector |
| 33 | 130735 | Medial mandrel | 80 | 256500 | Cord clamp |
| 34 | 154451 | Bush | 81 | 361360 | Screw K 4X9.5 TORX 20 |
| 35 | 154452 | Bush | 82 | 160963 | Key holder |
| 36 | 331283 | O-ring 9x3 - FPM70 | 83 | 152479 | Semi-ring comple |
| 37 | 330888 | Spring ring | 84 | 121265 | Handle |
| 38 | 130739 | Piston | 85 | 153840 | Handle extension |
| 39 | 330236 | O-RING 14X3C | 86 | 360860 | Boif D1-M8X45 |
| 40 | 127036 | Cylinder | 87 | 151159 | Depth gauge |
| 41 | 128408 | Axle | 88 | 153842 | Auxiliary handle set |
| 42 | 115221 | Spring 12x6.2x0.5 | 89 | 127040 | Adapter for chuck |
| 43 | 126987 | Spacer washer | 90 | 118984 | Chuck B13L |
| 44 | 151379 | Spindle gear II for Gear shaft | 91 | 360582 | Screw M6LHX30-8.8 |
| 45 | 151373 | Bush | 92 | 150137 | Spacer washer |
| 46 | 151372 | Bush | 93 | 151203 | Electronic block |

* - till 27.Apr.2014



173197

141096